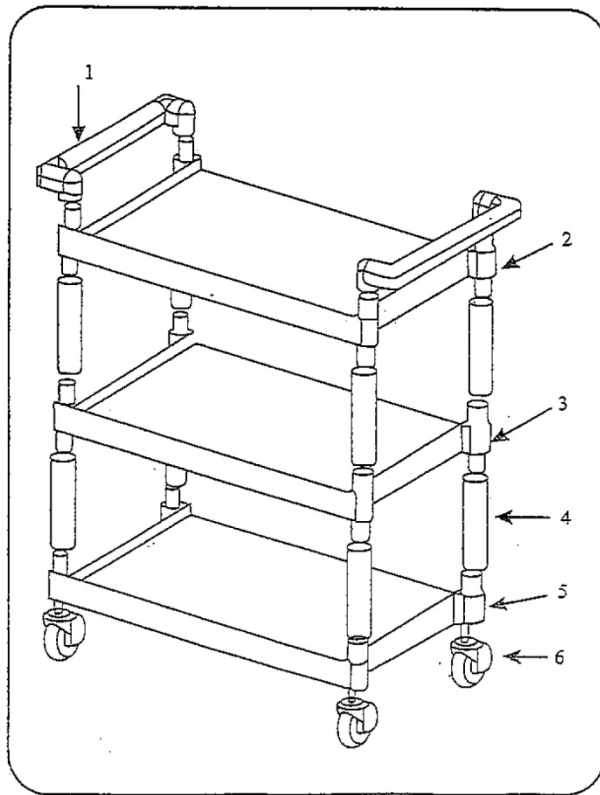




JOHNSON-ROSE CORP.
The "PROS" (Personable, Reliable, Outstanding Service)
in commercial smallwares and cookwares supplying.



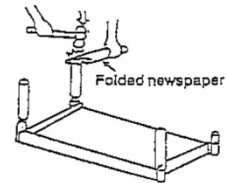
R-TROLLEY ASSEMBLY INSTRUCTIONS



S/No	DESCRIPTION	QTY(pcs)
1	Handle	2
2	Top Shelf	1
3	Middle shelf	1
4	Aluminum Support	8
5	Bottom Shelf	1
6	Wheels	4

Assembly Instructions

1. Check shelf undersides for "Top Middle and Bottom" markings
2. Assemble from "Bottom to Top" approach, fixing wheels last.
3. Ensure that the long sides with higher edge for all the shelves are on the same side when assembling.
4. Use the rubber/plastic mallet highly recommended.
5. Use of padding (folded up newspaper of 3/4 inch thick recommended) when hammering of shelf, support or handle to ensure easy assembly.
6. During assembly of shelf to aluminum support, hammer each corner into the support on a rotational basis to ensure even fitting. Hammer until shelf rests firmly on all the 4 supports and make sure that no gap is seen between shelf and support. Repeat for handle to shelf assembly.
7. Please take note that one of the 2 handles may be replaced by 2 end-caps whenever necessary (optional).



Mailing Address: PO Box 447, Lockport, NY 14095-0447
Office & Distribution Center: 5303 Crown Drive, Lockport, NY 14094
Email: info@johnsonrose.com